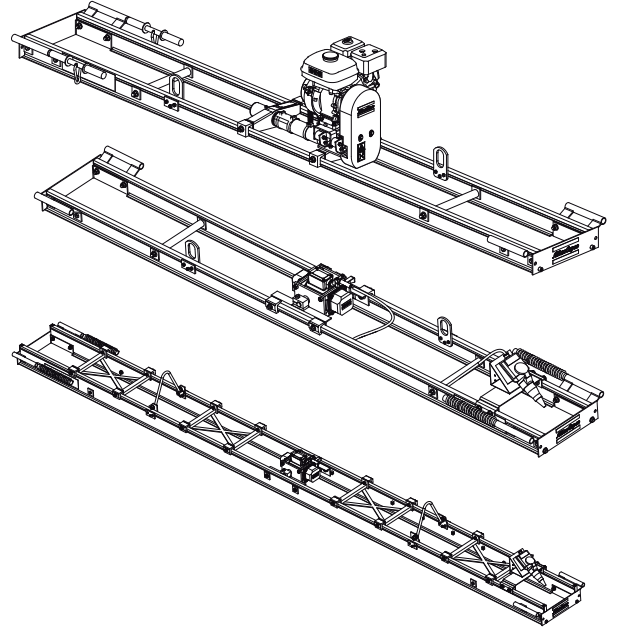


Spare parts list Beams and screeds

	Valid from serial number
Electric vibrator unit BE20 400V-3-50Hz	FRO016030
Electric vibrator unit BE200 400V-3-50Hz	FRO016030
Electric vibrator unit BE202 400V-3-50Hz	FRO016030
Gasoline drive unit BE30	FRO016030
Electric vibrator unit BE20 380V-3-60Hz	FRO016030
Electric vibrator unit BE20 440V-3-50Hz	FRO016030
Electric vibrator unit BE200 380V-3-60Hz	FRO016030
Electric vibrator unit BE200 440V-3-50Hz	FRO016030
Electric vibrator unit BE202 380V-3-60Hz	FRO016030
Electric vibrator unit BE202 440V-3-50Hz	FRO016030
Double beam BD32	FRO016030
Double beam BD42	FRO016030
Double beam BD52	FRO016030
Double beam BD62	FRO016030
Double beam BD520	FRO016030
Double beam BD620	FRO016030
Double beam BD720	FRO016030
Double beam BD800	FRO016030
Double beam BD802	FRO016030
Double beam BD842	FRO016030
Double beam BD942	FRO016030
External vibrator ER355-400V-3-50Hz	FRO016030
External vibrator ER355-380V-3-60Hz	FRO016030
External vibrator ER355-400V-3-50Hz	FRO016030



Contents

General information.....	5
Spare parts list.....	6
BE20.....	6
BE200.....	8
BE202.....	10
ER355 Electric vibrator 380V-3-60Hz.....	12
ER355 Electric vibrator 400V-3-50Hz.....	14
ER355 Electric vibrator 440V-3-50Hz.....	16
BE30.....	18
BD32.....	22
BD42.....	24
BD52.....	26
BD62.....	28
BD520.....	30
BD620.....	32
BD720.....	34
BD800.....	36
BD802.....	38
BD842.....	40
BD942.....	42

General information

This spare parts list applies to the following:

Part number	Description
4812 0508 96	Electric vibrator unit BE20 400V-3-50Hz
4812 0508 97	Electric vibrator unit BE20 400V-3-50Hz
4812 0508 98	Electric vibrator unit BE202 400V-3-50Hz
4812 0510 04	Gasoline drive unit BE30
4812 0511 17	Electric vibrator unit BE20 380V-3-60Hz
4812 0511 18	Electric vibrator unit BE20 440V-3-50Hz
4812 0511 19	Electric vibrator unit BE200 380V-3-60Hz
4812 0511 20	Electric vibrator unit BE200 440V-3-50Hz
4812 0511 21	Electric vibrator unit BE202 380V-3-60Hz
4812 0511 22	Electric vibrator unit BE202 440V-3-50Hz
4812 0508 99	Double beam BD32
4812 0509 00	Double beam BD42
4812 0509 01	Double beam BD52
4812 0509 02	Double beam BD62
4812 0509 03	Double beam BD520
4812 0509 04	Double beam BD620
4812 0509 05	Double beam BD720
4812 0509 06	Double beam BD800
4812 0509 07	Double beam BD802
4812 0509 08	Double beam BD842
4812 0509 09	Double beam BD942
4812 0510 96	External vibrator ER355-400V-3-50Hz
4812 0510 97	External vibrator ER355-380V-3-60Hz
4812 0510 98	External vibrator ER355-400V-3-50Hz

Use only authorized parts. Any damage or malfunction caused by the use of unauthorized parts is not covered by Warranty or Product Liability. Any unauthorized use or copying of the contents or any part thereof is prohibited. This applies in particular to trademarks, model denominations, part numbers, and drawings.

Instructions for use

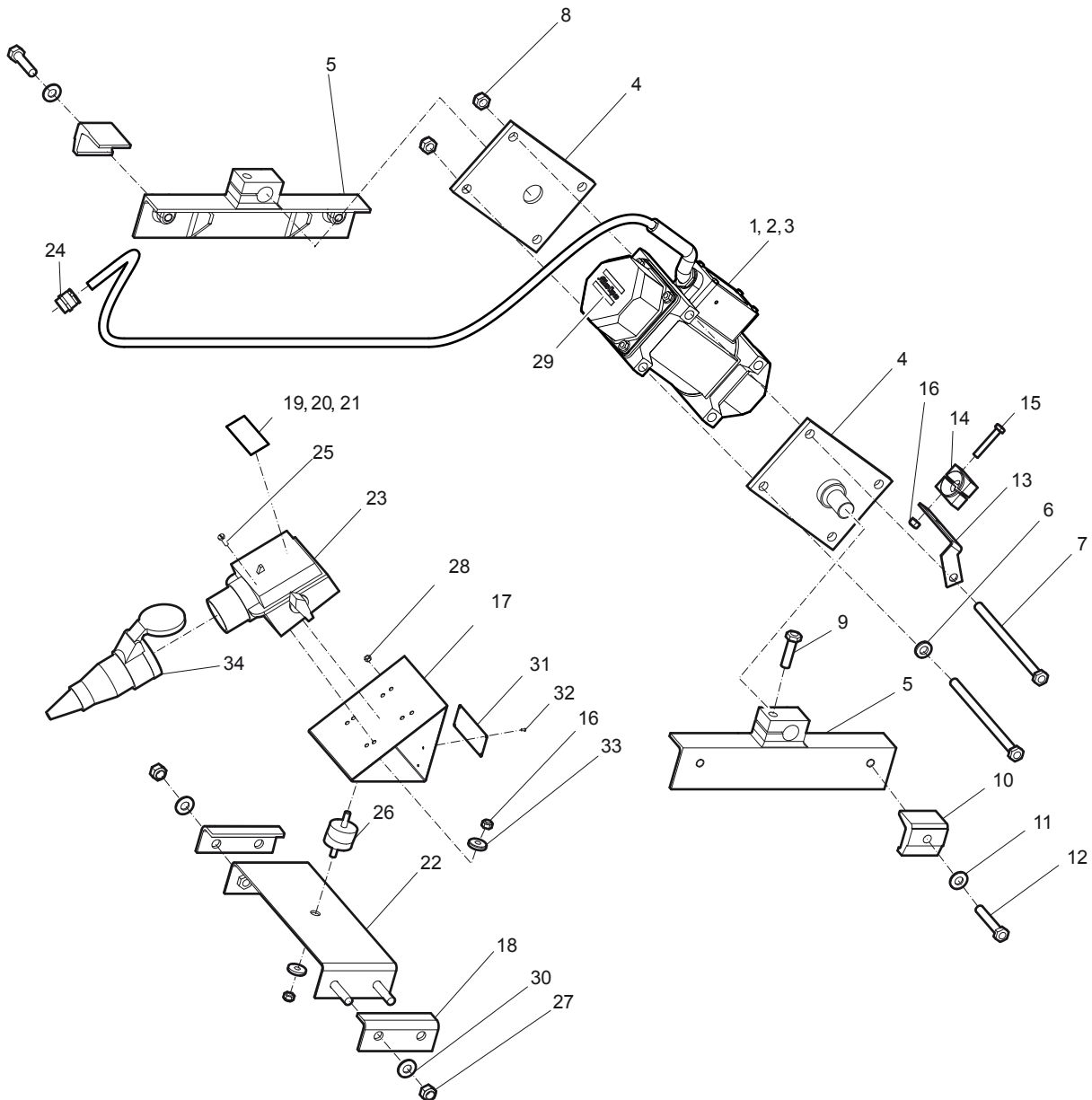
This spare parts list contains no safety regulations and is merely intended to assist in the ordering of spare parts.

For information about operating, servicing, or repairing, the relevant Safety and operating instructions must be consulted at all costs.

Please observe the safety instructions listed in the relevant Safety and operating instructions!

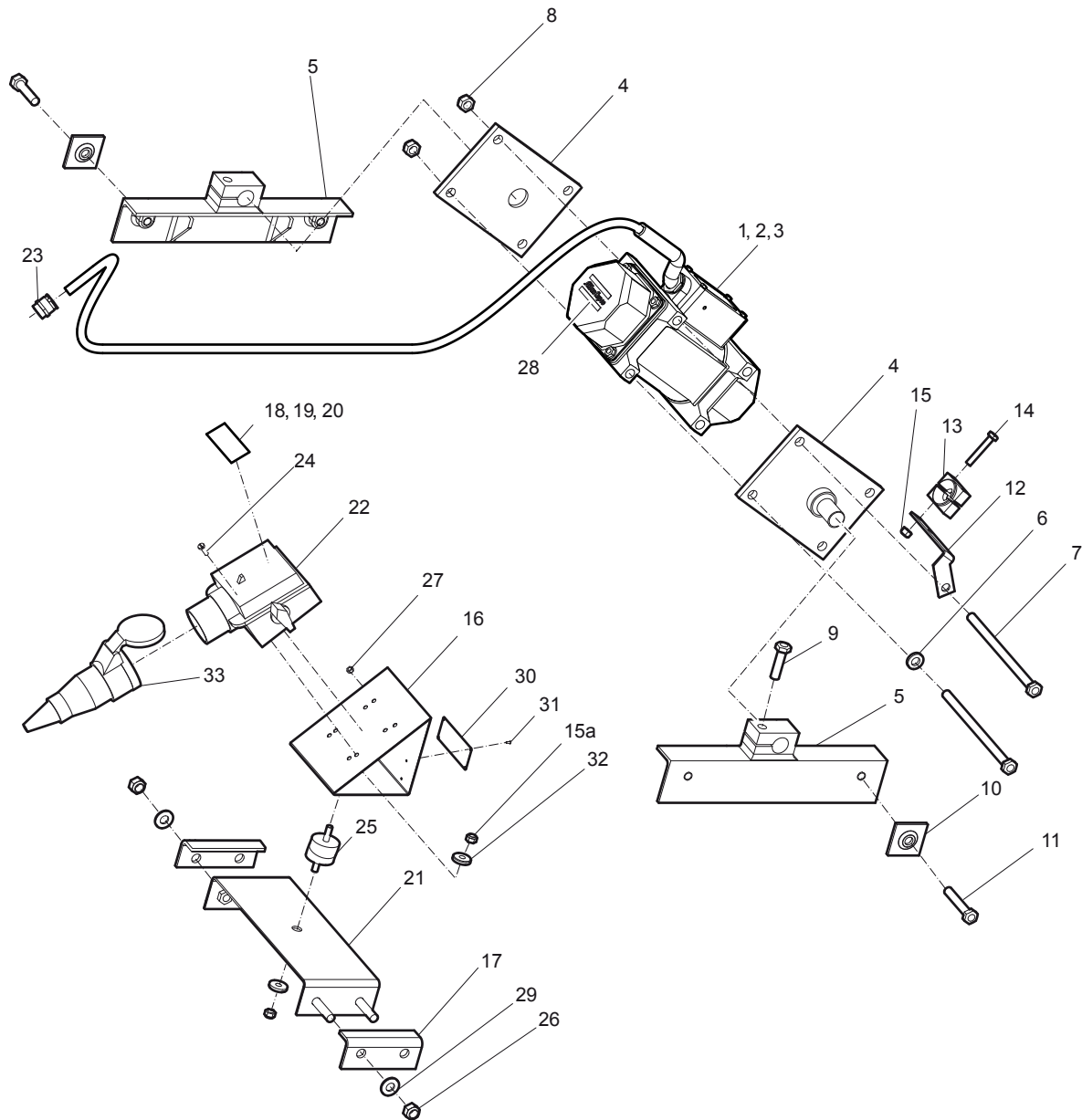
Spare parts list

BE20



No.	Description	Remark	Quantity	Part number
1	ER355 Electric vibrator	400V-3-50Hz	1	4812 0510 96
2	ER355 Electric vibrator	440V-3-50Hz	1	4812 0510 98
3	ER355 Electric vibrator	380V-3-60Hz	1	4812 0510 97
4	Plate holder		2	4812 0511 38
5	Vibrator holder		2	4812 0511 37
6	Washer		4	4700 6030 12
7	Screw		4	4700 9252 27
8	Nut		4	4700 5860 19
9	Screw		2	4700 5000 56
10	Holder		4	4700 0439 80
11	Washer		4	4700 6000 09
12	Screw		4	4700 1858 71
13	Square plate		1	4700 0467 49
14	Clamp		1	4700 0432 62
15	Screw		2	4700 5000 25
16	Nut		4	4700 5860 03
17	Switch holder		1	4812 0511 40
18	Angle bar		2	4700 0432 71
19	Label	400V	1	4700 0439 86
20	Label	380V	1	4700 3606 05
21	Label	440V	1	4812 0512 69
22	Holder complete		1	4812 0511 39
23	Switch		1	4700 9291 82
24	Sealing sleeve		1	4700 3671 38
25	Screw		4	4700 5330 27
26	Shock absorber		1	4700 0013 51
27	Nut		4	4700 5860 19
28	Nut		4	4700 5860 01
29	Label	Atlas copco	2	4812 0510 93
30	Washer		4	4700 6000 09
31	Data plate		1	-
32	Rivet		4	4700 1858 52
33	Washer		2	4700 6030 09
34	Plug		1	4700 9400 86

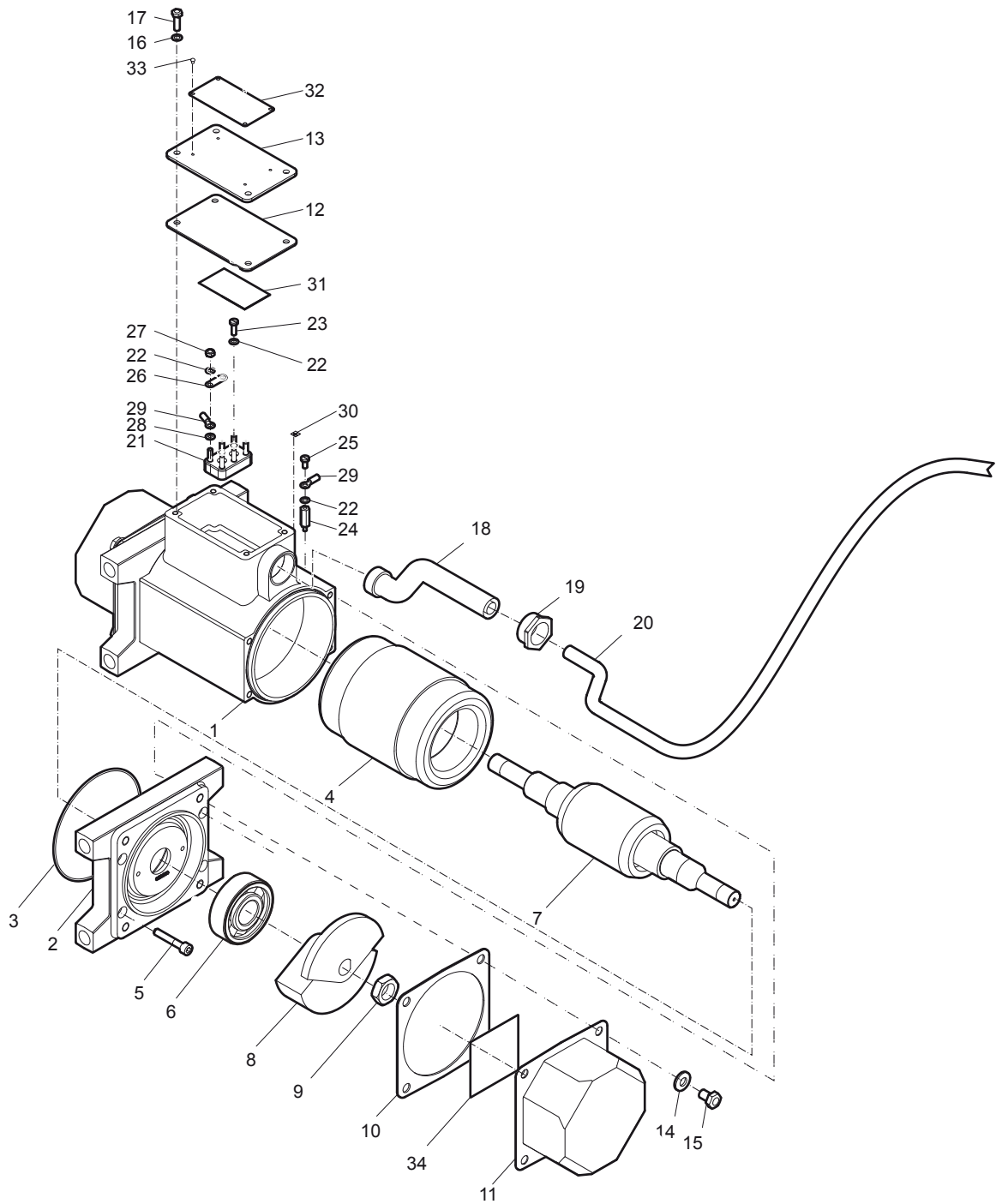
BE200



No.	Description	Remark	Quantity	Part number
1	ER355 Electric vibrator	400V-3-50Hz	1	4812 0510 96
2	ER355 Electric vibrator	440V-3-50Hz	1	4812 0510 98
3	ER355 Electric vibrator	380V-3-60Hz	1	4812 0510 97
4	Plate holder		2	4812 0511 38
5	Vibrator holder		2	4812 0511 37
6	Washer		4	4700 6030 12
7	Screw		4	4700 9252 27
8	Nut		4	4700 5860 19
9	Screw		2	4700 5000 56
10	Washer		4	4700 0435 67
11	Screw		4	4700 5000 49
12	Square plate		1	4700 0467 49
13	Clamp		1	4700 0432 62
14	Screw		2	4700 5000 25
15	Nut		4	4700 5860 03
16	Switch holder		1	4812 0511 40
17	Angle bar		2	4700 0432 71
18	Label	400V	1	4700 0439 86
19	Label	380V	1	4700 3606 05
20	Label	440V	1	4812 0512 69
21	Holder complete		1	4812 0511 39
22	Switch		1	4700 9291 82
23	Sealing sleeve		1	4700 3671 38
24	Screw		4	4700 5330 27
25	Shock absorber		1	4700 0013 51
26	Nut		4	4700 5860 19
27	Nut		4	4700 5860 01
28	Label	Atlas copco	2	4812 0510 93
29	Washer		4	4700 6000 09
30	Data plate		1	-
31	Rivet		4	4700 1858 52
32	Washer		2	4700 6030 09
33	Plug		1	4700 9400 86

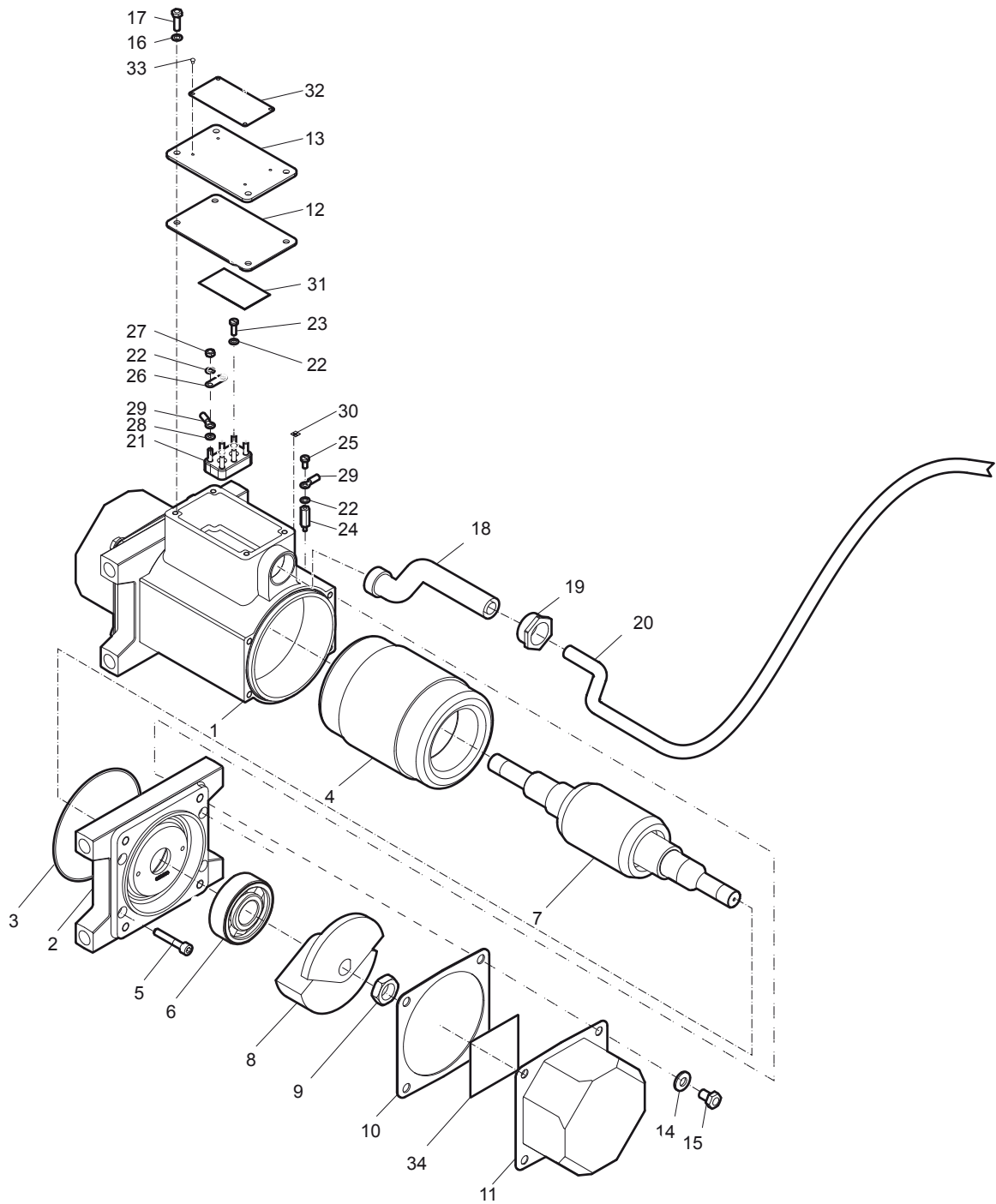
No.	Description	Remark	Quantity	Part number
1	ER355 Electric vibrator	400V-3-50Hz	1	4812 0510 96
2	ER355 Electric vibrator	380V-3-60Hz	1	4812 0510 97
3	ER355 Electric vibrator	440V-3-50Hz	1	4812 0510 98
4	Motor holder		1	4700 0464 76
5	Plate		2	4700 0317 91
6	Washer		8	4700 6030 12
7	Screw		4	4700 9252 27
8	Nut		8	4700 5860 19
9	Washer		4	4700 0435 67
10	Tie rod		2	4700 0435 64
11	Square plate		1	4700 0467 49
12	Clamp		1	4700 0432 62
13	Screw		2	4700 5000 25
14	Nut		2	4700 5860 03
15	Label	Atlas copco	1	4812 0510 93

ER355 Electric vibrator 380V-3-60Hz



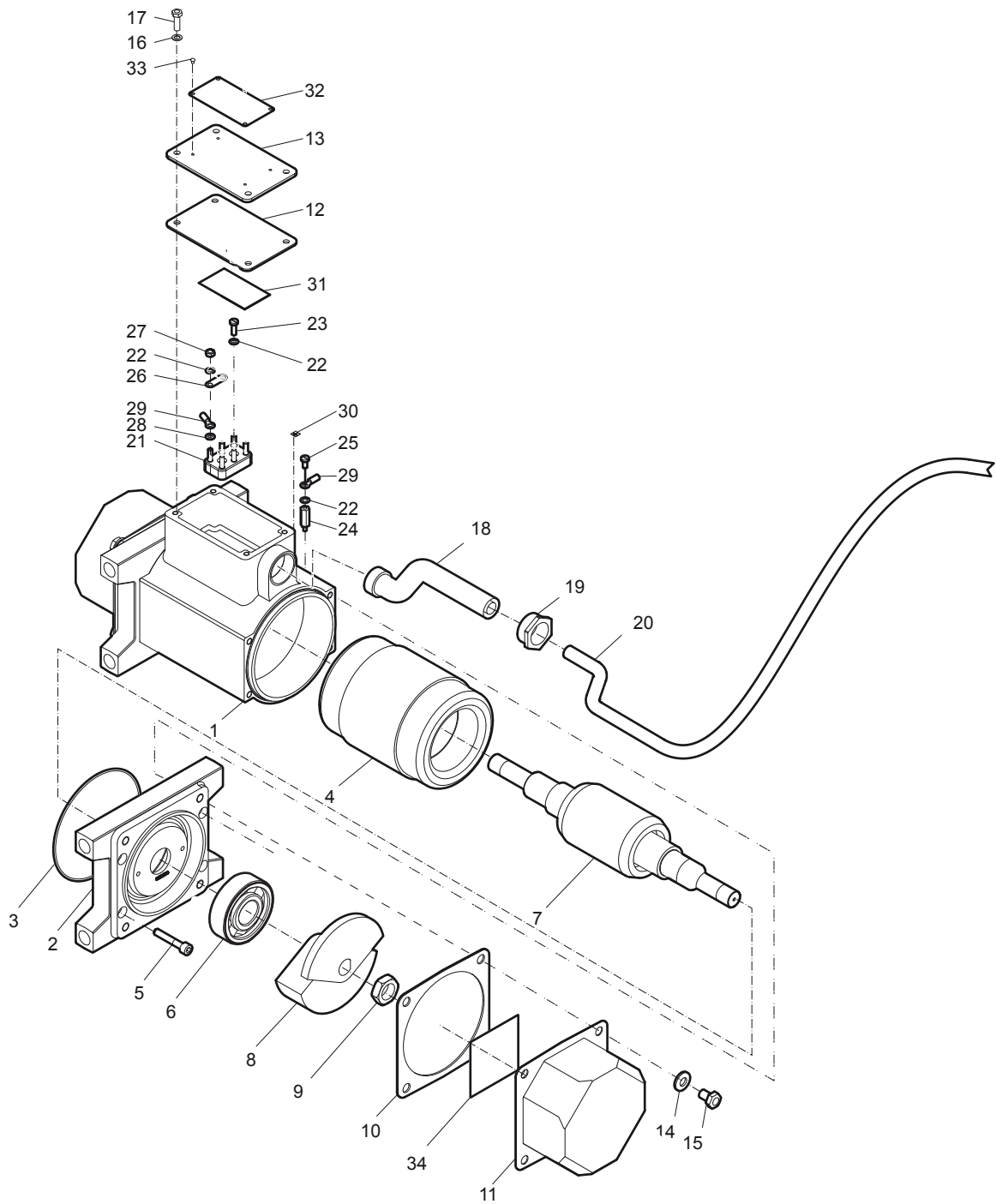
No.	Description	Remark	Quantity	Part number
1	Casing		1	4812 0510 81
2	Flange		2	4812 0510 83
3	O-ring		2	4700 1858 74
4	Stator	380V-3-60Hz	1	4812 0511 28
5	Screw		8	4700 1857 82
6	Ball bearing		2	4700 1808 09
7	Rotor		1	4700 1857 67
8	Eccentric mass	3600 r.p.m.	20	4812 0511 41
9	Nut		2	4700 1847 74
10	Paper seal		2	4700 1847 50
11	Cover		2	4700 1847 46
12	Rubber seal		1	4700 1036 93
13	Cover		1	4700 1808 88
14	Washer		8	4700 6000 06
15	Screw		9	4700 5000 18
16	Spring washer		4	4700 1823 36
17	Screw		4	4700 5000 06
18	Rubber sleve		1	4700 0400 71
19	Gland		1	4700 1078 31
20	Electric cable	L= 6.2 m L=20.3 f.t	1	4700 9010 24
21	Connecting box		1	4700 1036 32
22	Washer		9	4700 6060 01
23	Screw		2	4700 5330 09
24	Spacer		1	4700 3680 24
25	Screw		1	4700 5330 07
26	Connecting strip		3	4700 1838 96
27	Nut		6	4700 1838 97
28	Washer		6	4700 6150 05
29	Spade		10	4700 9600 65
30	Label	Ground	1	4700 0034 57
31	Connection diagramm		1	4700 2971 43
32	Data plate		1	-
33	Rivet		4	4710 1663 -1
34	Label	Centrifugal force	2	4700 1857 73

ER355 Electric vibrator 400V-3-50Hz



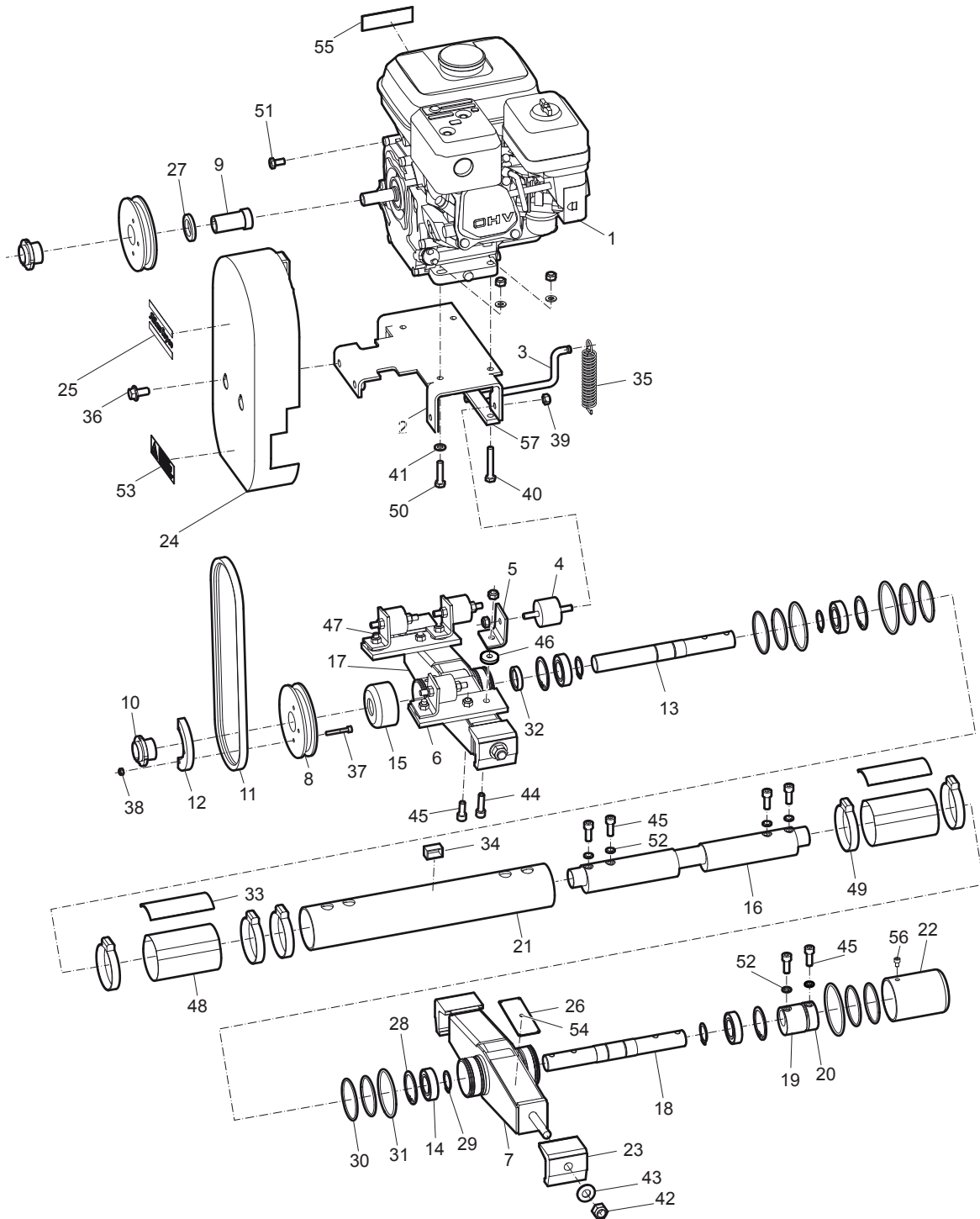
No.	Description	Remark	Quantity	Part number
1	Casing		1	4812 0510 81
2	Flange		2	4812 0510 83
3	O-ring		2	4700 1858 74
4	Stator	400V-3-50Hz	1	4700 1857 68
5	Screw		8	4700 1857 82
6	Ball bearing		2	4700 1808 09
7	Rotor		1	4700 1857 67
8	Eccentric mass	3000 r.p.m.	20	4700 1857 66
9	Nut		2	4700 1847 74
10	Paper seal		2	4700 1847 50
11	Cover		2	4700 1847 46
12	Rubber seal		1	4700 1036 93
13	Cover		1	4700 1808 88
14	Washer		8	4700 6000 06
15	Screw		9	4700 5000 18
16	Spring washer		4	4700 1823 36
17	Screw		4	4700 5000 06
18	Rubber sleeve		1	4700 0400 71
19	Gland		1	4700 1078 31
20	Electric cable	L= 6.2 m L=20.3 ft.	1	4700 9010 24
21	Connecting box		1	4700 1036 32
22	Washer		9	4700 6060 01
23	Screw		2	4700 5330 09
24	Spacer		1	4700 3680 24
25	Screw		1	4700 5330 07
26	Connecting strip		3	4700 1838 96
27	Nut		6	4700 1838 97
28	Washer		6	4700 6150 05
29	Spade		10	4700 9600 65
30	Label	Ground	1	4700 0034 57
31	Connection diagramm		1	4700 2971 43
32	Data plate		1	-
33	Rivet		4	4710 1663 -1
34	Label	Centrifugal force	2	4700 1857 73

ER355 Electric vibrator 440V-3-50Hz



No.	Description	Remark	Quantity	Part number
1	Casing		1	4812 0510 81
2	Flange		2	4812 0510 83
3	O-ring		2	4700 1858 74
4	Stator	400V-3-50Hz	1	4812 0511 29
5	Screw		8	4700 1857 82
6	Ball bearing		2	4700 1808 09
7	Rotor		1	4700 1857 67
8	Eccentric mass	3000 r.p.m.	20	4700 1857 66
9	Nut		2	4700 1847 74
10	Paper seal		2	4700 1847 50
11	Cover		2	4700 1847 46
12	Rubber seal		1	4700 1036 93
13	Cover		1	4700 1808 88
14	Washer		8	4700 6000 06
15	Screw		9	4700 5000 18
16	Spring washer		4	4700 1823 36
17	Screw		4	4700 5000 06
18	Rubber sleeve		1	4700 0400 71
19	Gland		1	4700 1078 31
20	Electric cable	L= 6.2 m L=20.3 ft.	1	4700 9010 24
21	Connecting box		1	4700 1036 32
22	Washer		9	4700 6060 01
23	Screw		2	4700 5330 09
24	Spacer		1	4700 3680 24
25	Screw		1	4700 5330 07
26	Connecting strip		3	4700 1838 96
27	Nut		6	4700 1838 97
28	Washer		6	4700 6150 05
29	Spade		10	4700 9600 65
30	Label	Ground	1	4700 0034 57
31	Connection diagramm		1	4700 2971 43
32	Data plate		1	-
33	Rivet		4	4710 1663 -1
34	Label	Centrifugal force	2	4700 1857 73

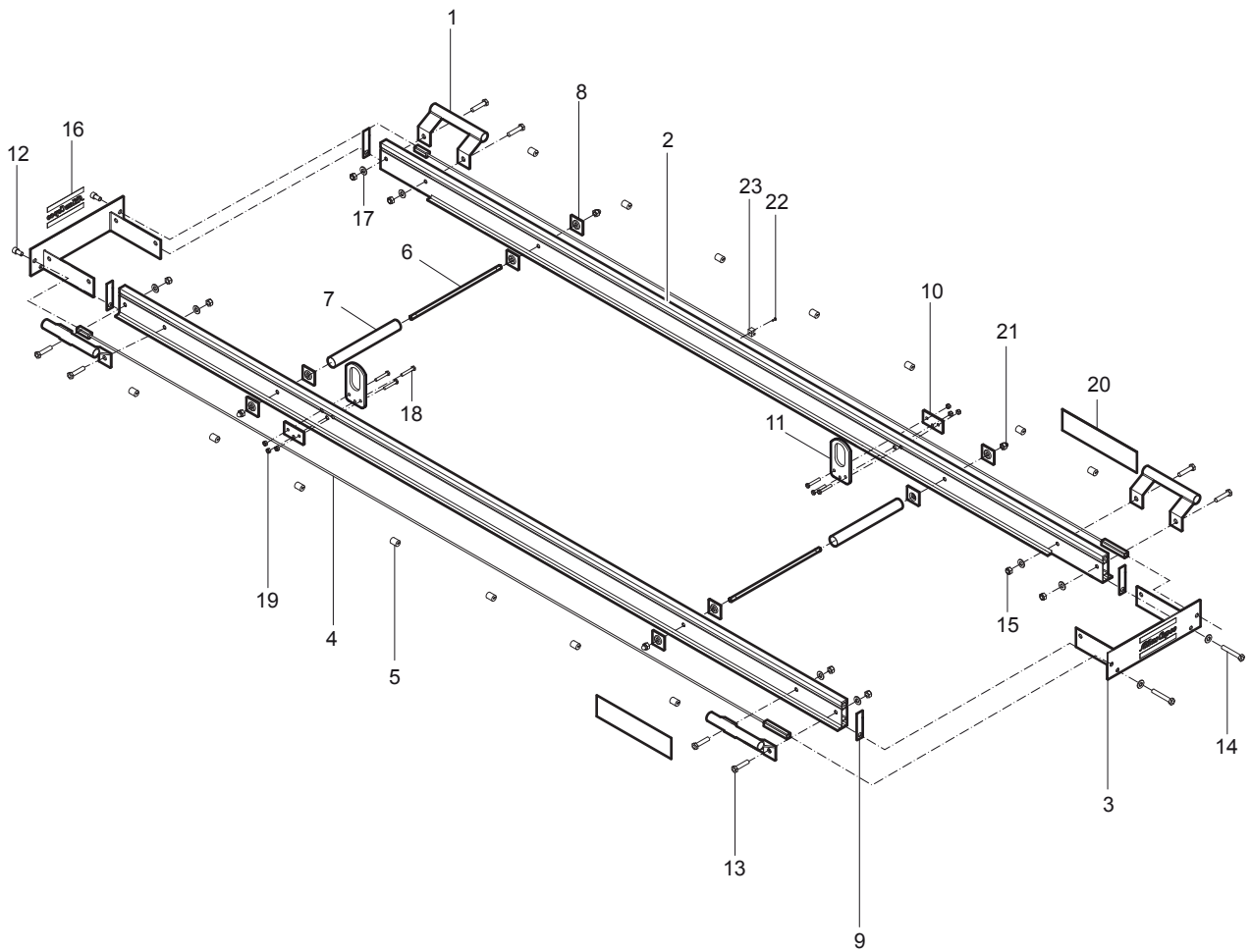
BE30



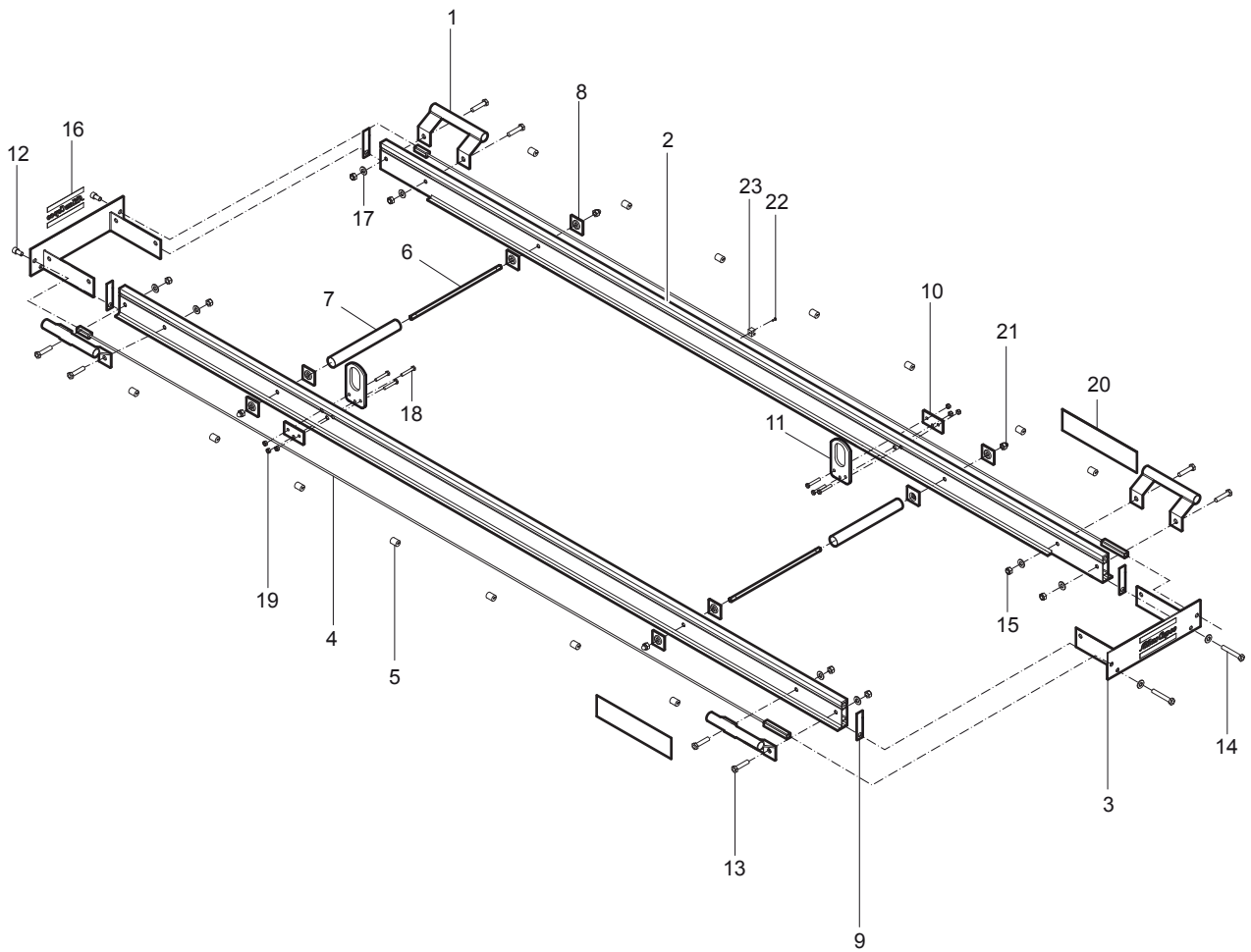
No.	Description	Remark	Quantity	Part number
1	Engine		1	4812 0510 81
2	Engine plate		1	4812 0511 25
3	Spring holder		1	4812 0511 36
4	Shock absorber		4	4700 0013 51
5	Angle bar		4	4700 0445 99
6	Plate		2	4700 0440 21
7	Vibrator holder		1	4812 0511 27
8	Pulley		2	4700 0439 99
9	Sleeve		1	4812 0511 26
10	Adapter sleeve		2	4700 0000 53
11	V-belt		1	4700 0015 48
12	Eccentric		1	4700 0440 23
13	Shaft		1	4700 0313 33
14	Ball bearing		4	0502 1091 11
15	Plug		1	4700 0439 81
16	Eccentric shaft		1	4700 0318 25
17	Holder		1	4812 0511 24
18	Shaft		1	4700 0313 34
19	Eccentric 70%		1	4700 0442 40
20	Eccentric 30%		1	4700 0442 39
21	Tube		1	4700 0454 38
22	Plug		1	4700 0439 82
23	Holder		4	4700 0439 80
25	Cover		1	4812 0510 65
26	Label		1	4812 0511 23
27	Spacer		1	4700 0431 73
28	Retainer ring	Internal DIN472 Ø47 x 1.75 mm 1.85 x 0.07 in.	4	4700 1510 15
29	Retainer ring	External DIN471 Ø25 x 1.2 mm 0.98 x 0.05 in.	4	4700 1500 09
30	O-ring	Nitrile 70SH 36.2 x 3 mm 1.42 x 0.11 in.	8	4700 1600 16
31	O-ring		4	0663 2113 64
32	V-ring		1	4700 0003 34
33	Sealing		2	4700 0439 95
34	Spring holder		1	4700 0447 02
35	Spring		1	4700 0446 43
36	Screw	M10 x 20 mm DIN6921	2	-
37	Screw	M5 x 35 mm DIN912	3	-
38	Lock nut	M5 CL6 DIN985	3	4700 5860 01
39	Lock nut	M8 CL6 DIN985	18	4700 5860 03
40	Screw	M8 x 40 mm DIN933	2	-
41	Washer	MU8	6	-
42	Lock nut	M12 CL6 DIN985	4	4700 5860 19
43	Washer	MU12	4	-
44	Screw	M8 x 30 mm DIN912	2	-
45	Screw	M8 x 22 mm DIN9128	8	-
46	Washer		4	4700 6030 09
47	Screw	M8 x 25 mm DIN933	2	4700 5000 21
48	Sheet sweep		2	4700 0013 01
49	Clamp		5	4700 0017 71
50	Screw	M8 x 35 mm DIN931	2	-

No.	Description	Remark	Quantity	Part number
51	Screw	M8 x 16 mm DIN933	2	-
52	Lock washer	W8	6	4700 6040 05
53	Label	Pinching	1	4812 0513 35
54	Rivet		4	4700 1016 63
55	Label	Security warnings	1	4812 0512 20
56	Screw		1	-
57	Plate		1	-

BD32

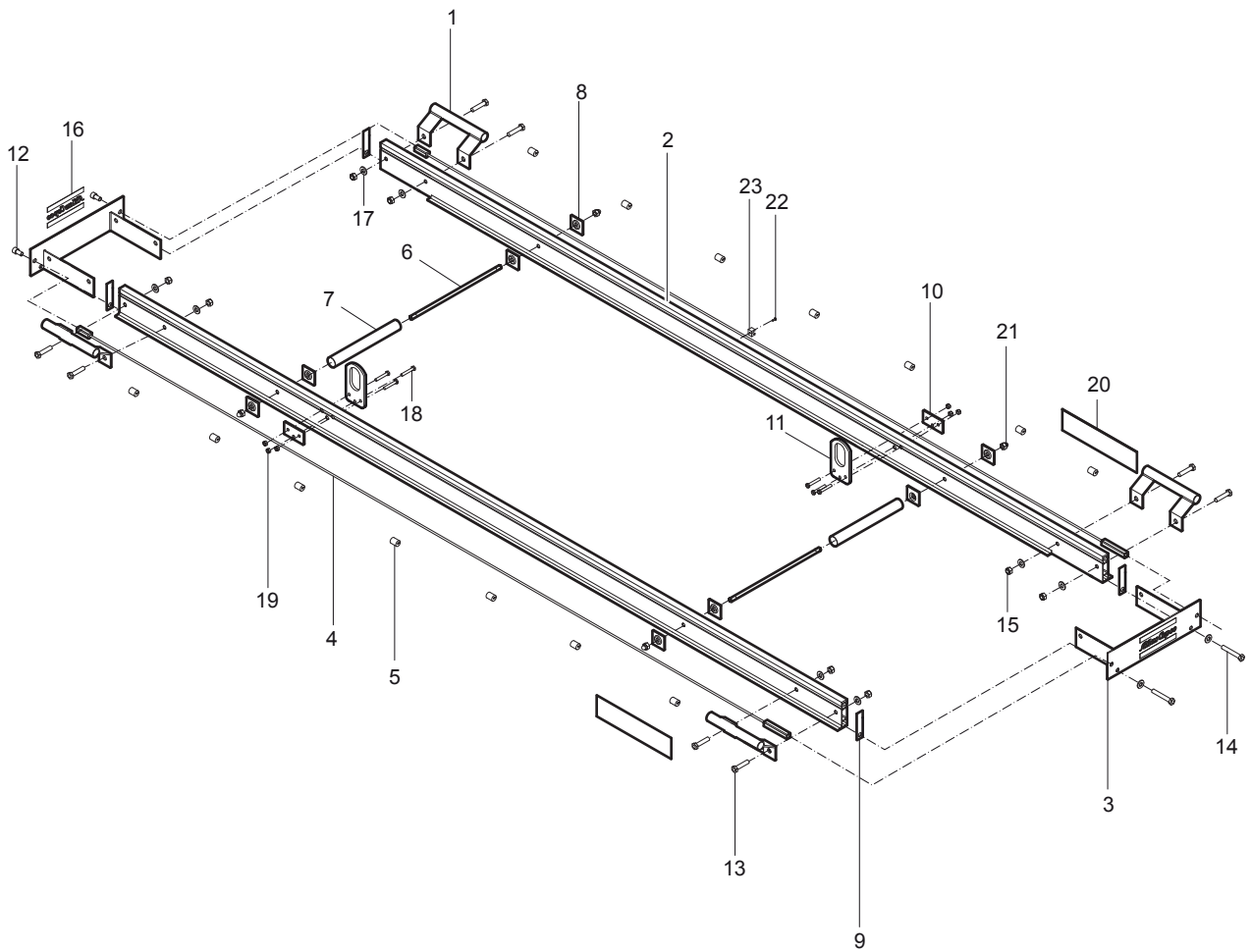


No.	Description	Remark	Quantity	Part number
1	Handle		4	4812 0511 30
2	Profile		2	4700 0313 76
3	Beam end		2	4812 0511 31
4	Tie rod		2	4700 0430 11
5	Shock absorber		14	4700 0430 70
6	Stud		2	4700 0435 64
7	Tube		2	4700 0435 66
8	Square washer		8	4700 0435 67
9	Sealing		4	4700 0446 90
10	Plate		2	4700 0447 95
11	Lifting eye		2	4700 0447 96
12	Screw		2	4700 1858 68
13	Screw		8	4700 1858 69
14	Screw		2	4700 1858 70
15	Nut		8	4700 5860 19
16	Label	Atlas copco	2	4812 0510 25
17	Washer		1	4700 6000 09
18	Screw		6	4700 5000 25
19	Nut		6	4700 5860 03
20	Label	Warning	2	4700 0014 96
21	Nut		4	4700 1863 54
22	Screw		1	-
23	Connecting		1	4700 1858 47

BD42

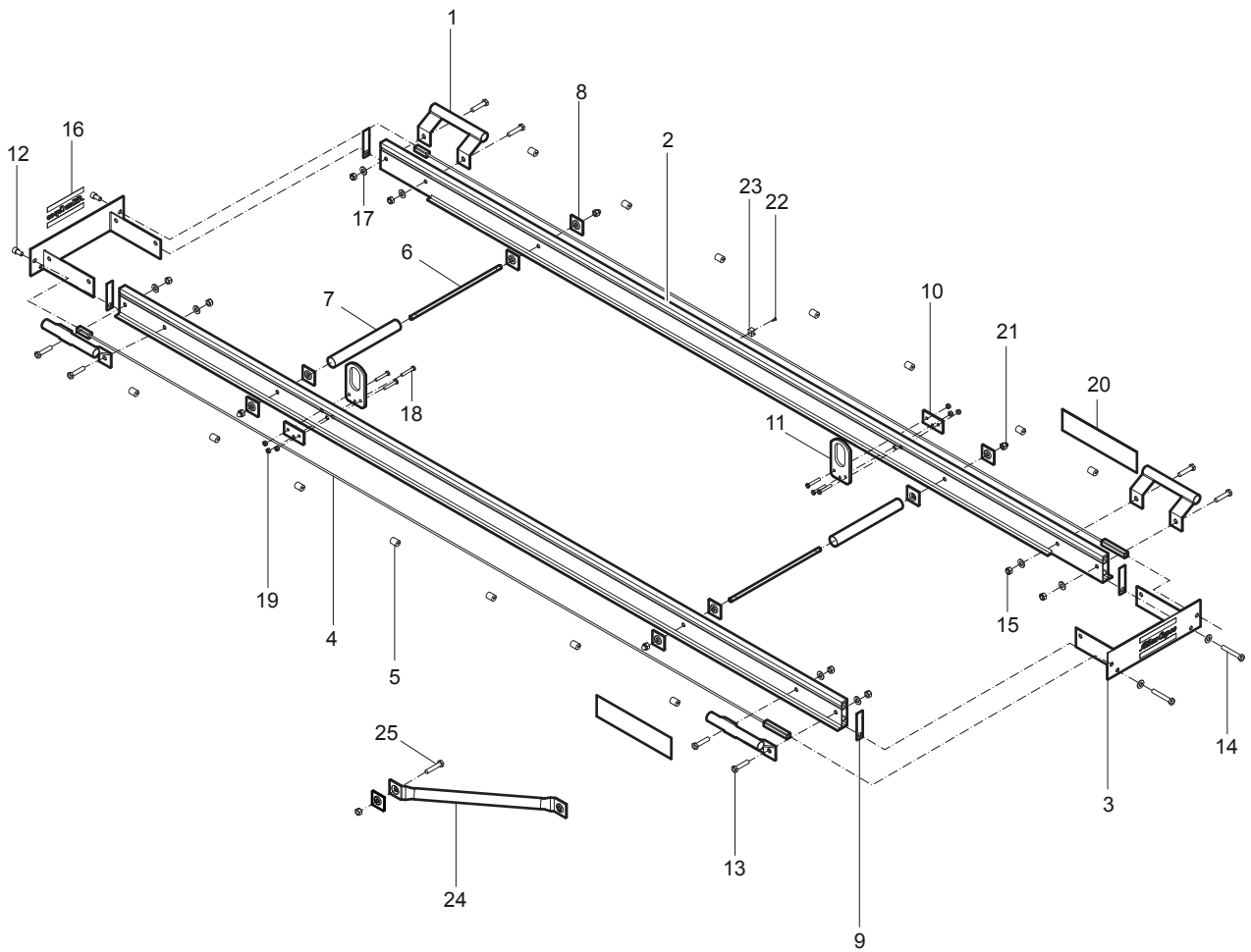
No.	Description	Remark	Quantity	Part number
1	Handle		4	4812 0511 30
2	Profile		2	4700 0313 77
3	Beam end		2	4812 0511 31
4	Tie rod		2	4700 0438 50
5	Shock absorber		18	4700 0430 70
6	Stud		4	4700 0435 64
7	Tube		4	4700 0435 66
8	Square washer		16	4700 0435 67
9	Sealing		4	4700 0446 90
10	Plate		2	4700 0447 95
11	Lifting eye		2	4700 0447 96
12	Screw		2	4700 1858 68
13	Screw		8	4700 1858 69
14	Screw		2	4700 1858 70
15	Nut		8	4700 5860 19
16	Label	Atlas copco	2	4812 0510 25
17	Washer		1	4700 6000 09
18	Screw		6	4700 5000 25
19	Nut		6	4700 5860 03
20	Label	Warning	2	4700 0014 96
21	Nut		8	4700 1863 54
22	Screw		1	-
23	Connecting		1	4700 1858 47

BD52



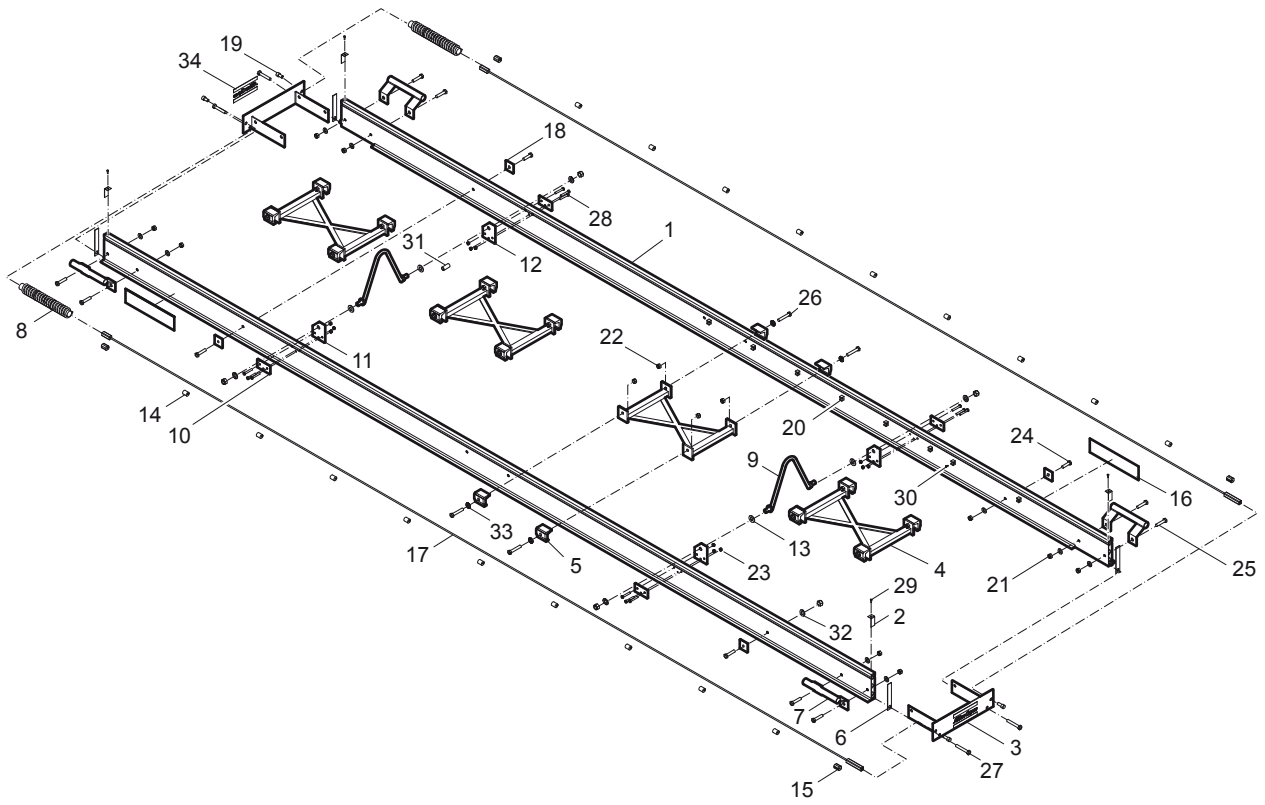
No.	Description	Remark	Quantity	Part number
1	Handle		4	4812 0511 30
2	Profile		2	4700 0313 78
3	Beam end		2	4812 0511 31
4	Tie rod		2	4700 0438 51
5	Shock absorber		22	4700 0430 70
6	Stud		4	4700 0435 64
7	Tube		4	4700 0435 66
8	Square washer		16	4700 0435 67
9	Sealing		4	4700 0446 90
10	Plate		2	4700 0447 95
11	Lifting eye		2	4700 0447 96
12	Screw		2	4700 1858 68
13	Screw		8	4700 1858 69
14	Screw		2	4700 1858 70
15	Nut		8	4700 5860 19
16	Label	Atlas copco	2	4812 0510 25
17	Washer		1	4700 6000 09
18	Screw		6	4700 5000 25
19	Nut		6	4700 5860 03
20	Label	Warning	2	4700 0014 96
21	Nut		8	4700 1863 54
22	Screw		1	-
23	Connecting		1	4700 1858 47

BD62



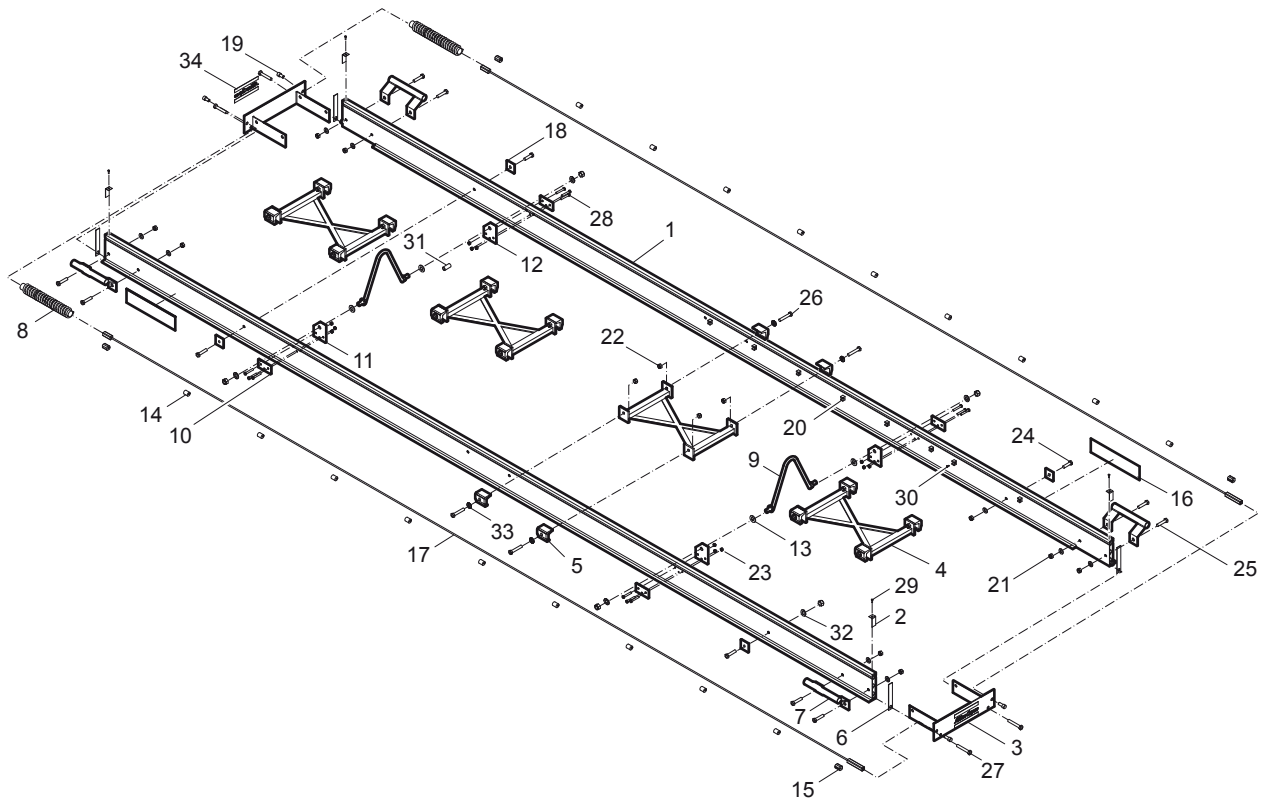
No.	Description	Remark	Quantity	Part number
1	Handle		4	4812 0511 30
2	Profile		2	4700 0313 78
3	Beam end		2	4812 0511 31
4	Tie rod		2	4700 0438 51
5	Shock absorber		22	4700 0430 70
6	Stud		4	4700 0435 64
7	Tube		4	4700 0435 66
8	Square washer		16	4700 0435 67
9	Sealing		4	4700 0446 90
10	Plate		2	4700 0447 95
11	Lifting eye		2	4700 0447 96
12	Screw		2	4700 1858 68
13	Screw		8	4700 1858 69
14	Screw		2	4700 1858 70
15	Nut		10	4700 5860 19
16	Label	Atlas copco	2	4812 0510 25
17	Washer		1	4700 6000 09
18	Screw		6	4700 5000 25
19	Nut		6	4700 5860 03
20	Label	Warning	2	4700 0014 96
21	Nut		8	4700 1863 54
22	Screw		1	-
23	Connecting		1	4700 1858 47
24	Bracket		2	4812 0512 76
25	Screw		2	4700 5001 03

BD520



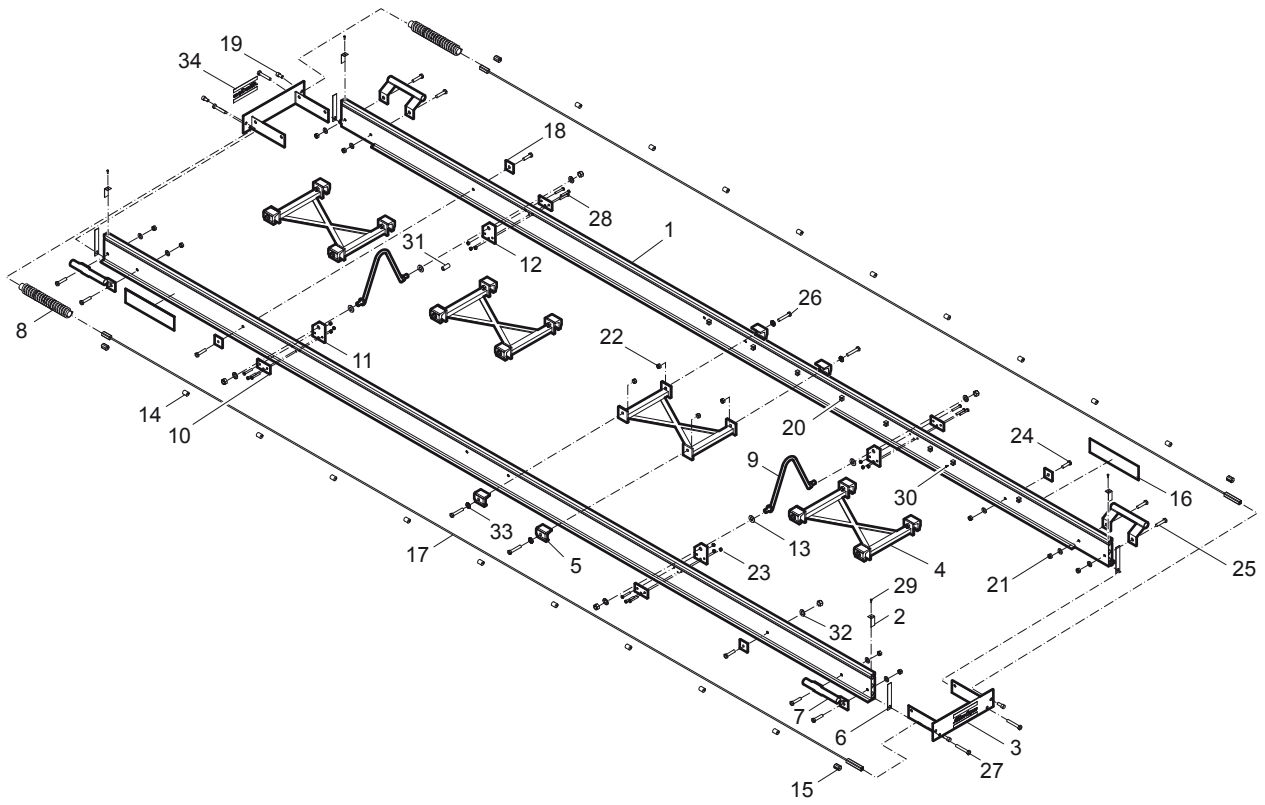
No.	Description	Remark	Quantity	Part number
1	Profil		2	4700 0314 32
2	Plate		4	4700 0442 78
3	Beam end		2	4812 0511 31
4	Cross holder		4	4812 0511 32
5	Holder		16	4700 0439 80
6	Sealing		4	4700 0446 89
7	Handle		4	4812 0511 30
8	Handle complete		2	4700 0434 28
9	Lifting eye		2	4700 0318 30
10	Plate		4	4700 0447 95
11	Lifting eye holder		2	4700 0457 23
12	Lifting eye holder		2	4700 0457 24
13	Rubber washer		4	4700 0454 60
14	Shock absorber		18	4700 0430 70
15	Shock absorber		4	4700 0442 77
16	Label	Instructions	2	4700 0014 96
17	Push rod		2	4700 0438 51
18	Washer		4	4700 0430 36
19	Screw		4	4700 1858 68
20	Connecting strip		8	4700 1858 47
21	Nut		24	4700 5860 19
22	Nut		16	4700 5860 21
23	Nut		12	4700 5860 03
24	Screw		4	4700 5000 56
25	Screw		8	4700 1858 69
26	Screw		16	4700 1858 71
27	Screw		4	4700 1858 70
28	Screw		12	4700 5000 25
29	Screw		4	4700 1852 48
30	Screw		8	4700 1858 46
31	Hose	40 mm 1.57 in.	1	4700 0013 29
32	Washer		24	4700 6000 09
33	Washer		1	4700 6000 11
34	Label	Atlas copco	2	4812 0510 25

BD620



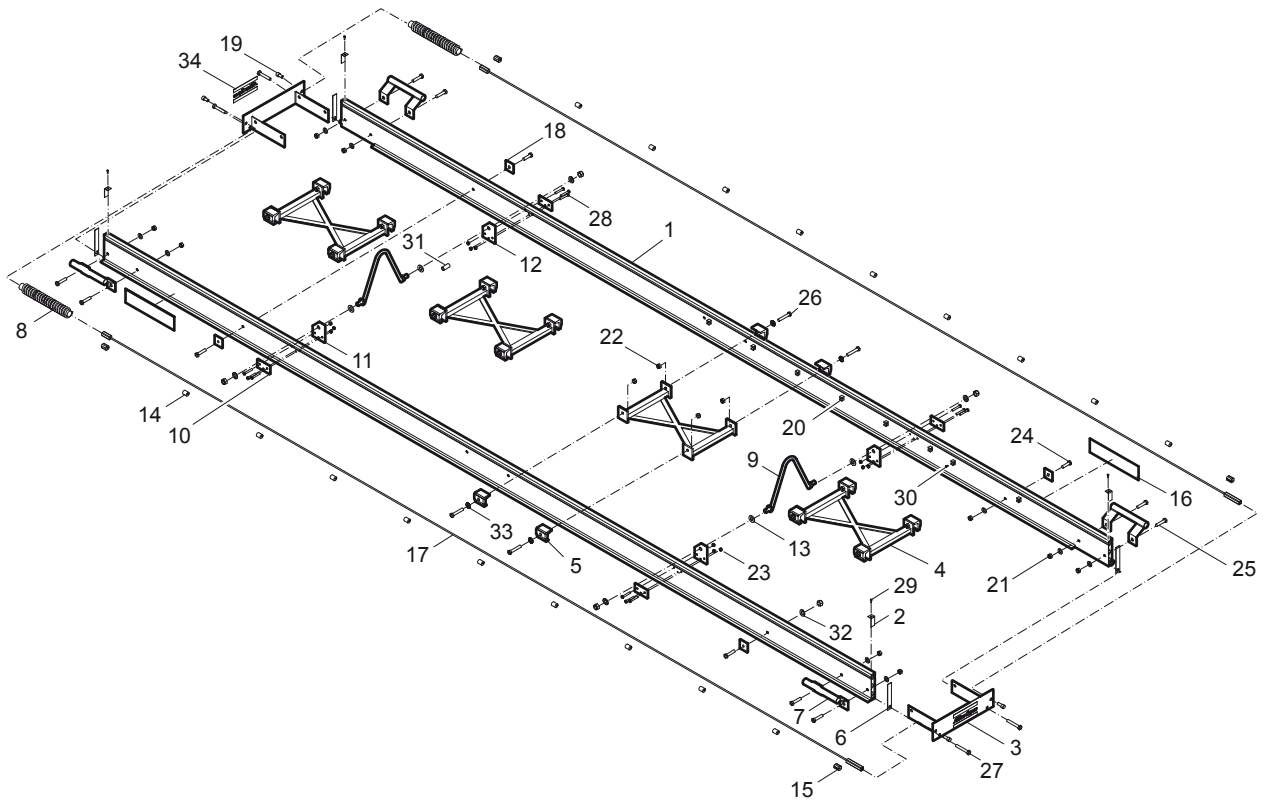
No.	Description	Remark	Quantity	Part number
1	Profil		2	4700 0314 33
2	Plate		4	4700 0442 78
3	Beam end		2	4812 0511 31
4	Cross holder		4	4812 0511 32
5	Holder		16	4700 0439 80
6	Sealing		4	4700 0446 89
7	Handle		4	4812 0511 30
8	Handle complete		2	4700 0434 28
9	Lifting eye		2	4700 0318 30
10	Plate		4	4700 0447 95
11	Lifting eye holder		2	4700 0457 23
12	Lifting eye holder		2	4700 0457 24
13	Rubber washer		4	4700 0454 60
14	Shock absorber		22	4700 0430 70
15	Shock absorber		4	4700 0442 77
16	Label	Instructions	2	4700 0014 96
17	Push rod		2	4700 0438 52
18	Washer		4	4700 0430 36
19	Screw		4	4700 1858 68
20	Connecting strip		10	4700 1858 47
21	Nut		24	4700 5860 19
22	Nut		16	4700 5860 21
23	Nut		12	4700 5860 03
24	Screw		4	4700 5000 56
25	Screw		8	4700 1858 69
26	Screw		16	4700 1858 71
27	Screw		4	4700 1858 70
28	Screw		12	4700 5000 25
29	Screw		4	4700 1852 48
30	Screw		10	4700 1858 46
31	Hose	40 mm 1.57 in.	1	4700 0013 29
32	Washer		24	4700 6000 09
33	Washer		1	4700 6000 11
34	Label	Atlas copco	2	4812 0510 25

BD720



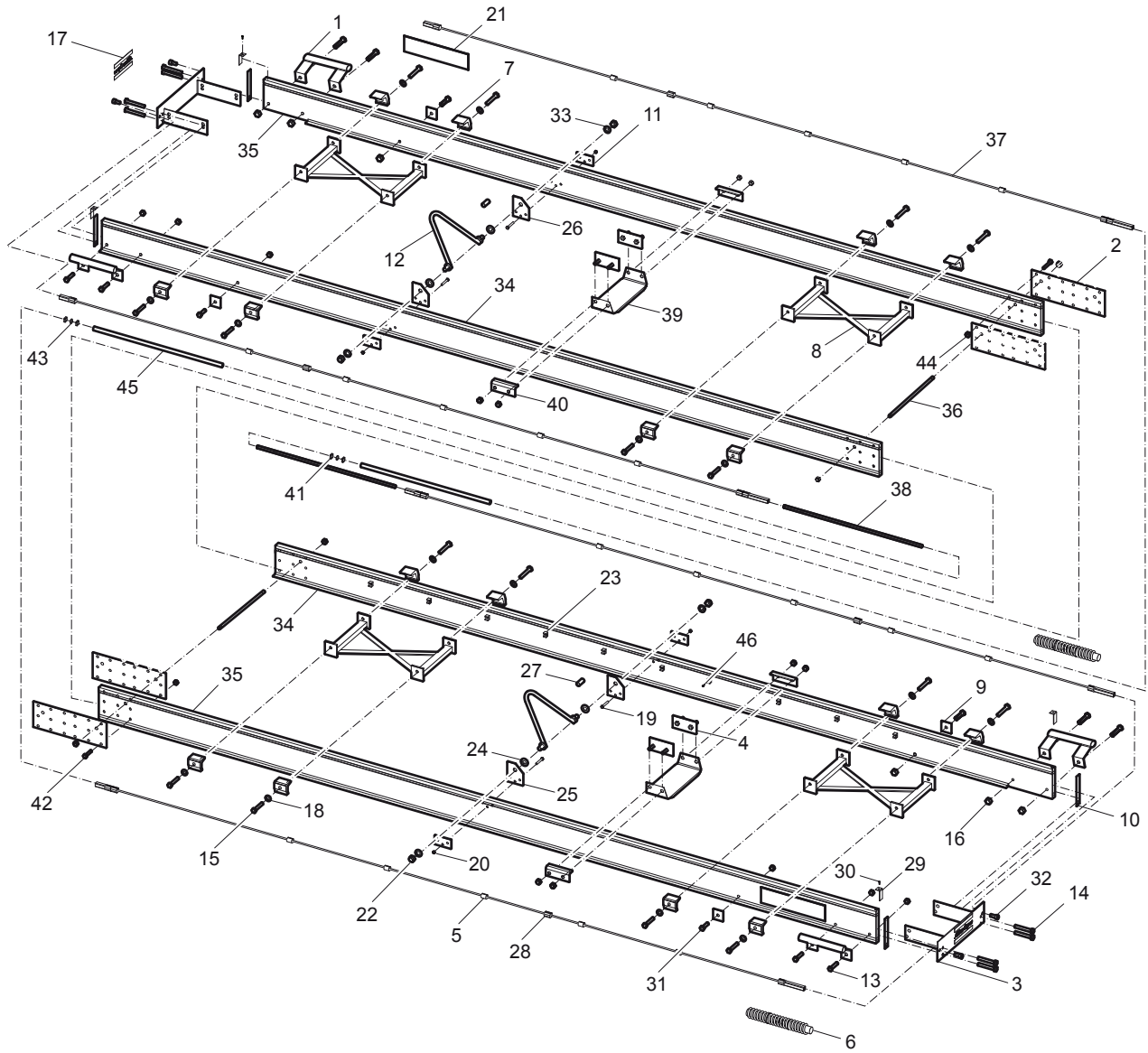
No.	Description	Remark	Quantity	Part number
1	Profil		2	4700 0314 34
2	Plate		4	4700 0442 78
3	Beam end		2	4812 0511 31
4	Cross holder		4	4812 0511 32
5	Holder		16	4700 0439 80
6	Sealing		4	4700 0446 89
7	Handle		4	4812 0511 30
8	Handle complete		2	4700 0434 28
9	Lifting eye		2	4700 0318 30
10	Plate		4	4700 0447 95
11	Lifting eye holder		2	4700 0457 23
12	Lifting eye holder		2	4700 0457 24
13	Rubber washer		4	4700 0454 60
14	Shock absorber		26	4700 0430 70
15	Shock absorber		4	4700 0442 77
16	Label	Instructions	2	4700 0014 96
17	Push rod		2	4700 0440 67
18	Washer		4	4700 0430 36
19	Screw		4	4700 1858 68
20	Connecting strip		12	4700 1858 47
21	Nut		24	4700 5860 19
22	Nut		16	4700 5860 21
23	Nut		12	4700 5860 03
24	Screw		4	4700 5000 56
25	Screw		8	4700 1858 69
26	Screw		16	4700 1858 71
27	Screw		4	4700 1858 70
28	Screw		12	4700 5000 25
29	Screw		4	4700 1852 48
30	Screw		12	4700 1858 46
31	Hose	40 mm 1.57 in.	1	4700 0013 29
32	Washer		24	4700 6000 09
33	Washer		1	4700 6000 11
34	Label	Atlas copco	2	4812 0510 25

BD800



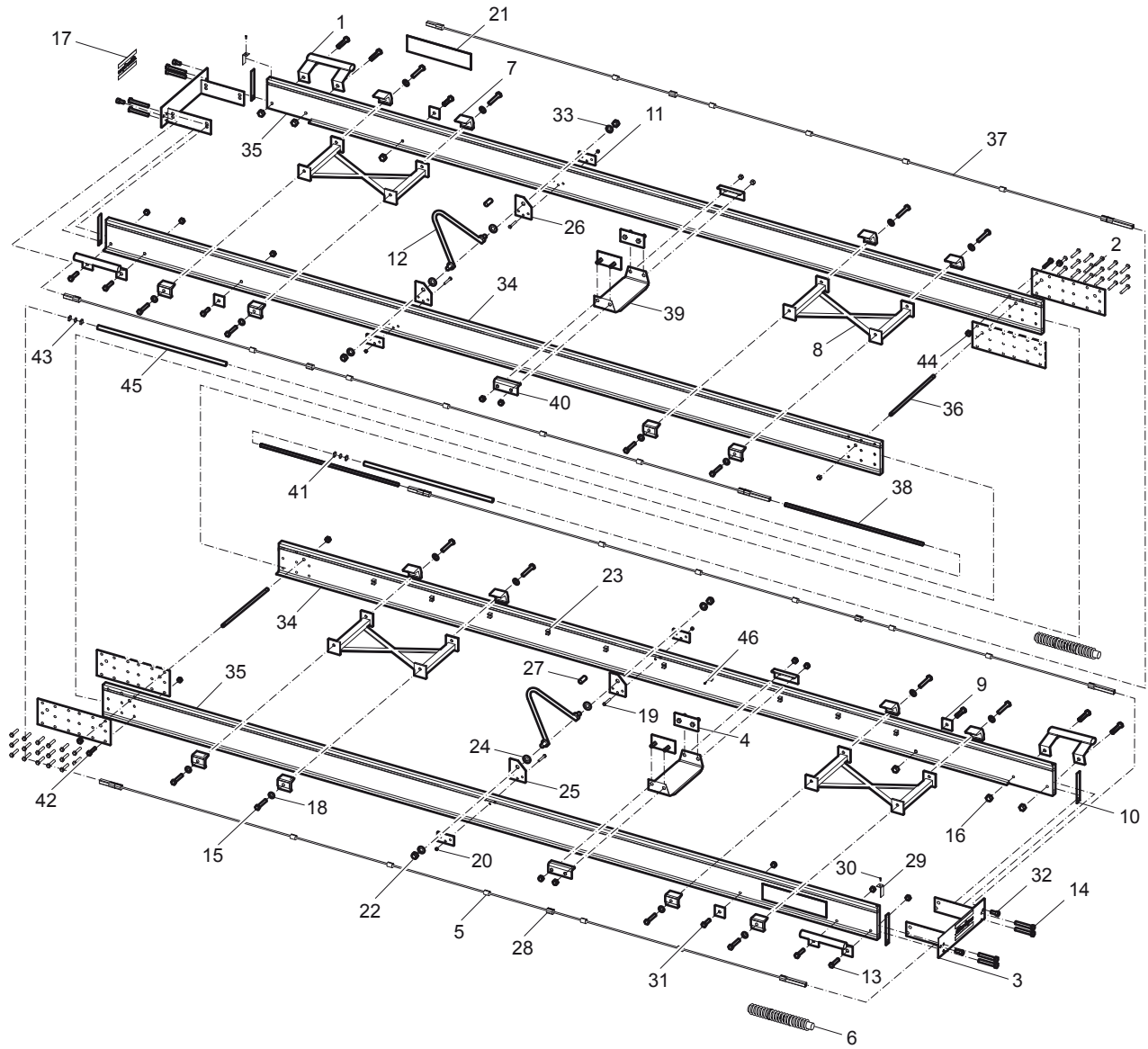
No.	Description	Remark	Quantity	Part number
1	Profil		2	4700 0314 35
2	Plate		4	4700 0442 78
3	Beam end		2	4812 0511 31
4	Cross holder		4	4812 0511 32
5	Holder		16	4700 0439 80
6	Sealing		4	4700 0446 89
7	Handle		4	4812 0511 30
8	Handle complete		2	4700 0434 28
9	Lifting eye		2	4700 0318 30
10	Plate		4	4700 0447 95
11	Lifting eye holder		2	4700 0457 23
12	Lifting eye holder		2	4700 0457 24
13	Rubber washer		4	4700 0454 60
14	Shock absorber		30	4700 0430 70
15	Shock absorber		4	4700 0442 77
16	Label	Instructions	2	4700 0014 96
17	Push rod		2	4700 0441 25
18	Washer		4	4700 0430 36
19	Screw		4	4700 1858 68
20	Connecting strip		14	4700 1858 47
21	Nut		24	4700 5860 19
22	Nut		16	4700 5860 21
23	Nut		12	4700 5860 03
24	Screw		4	4700 5000 56
25	Screw		8	4700 1858 69
26	Screw		16	4700 1858 71
27	Screw		4	4700 1858 70
28	Screw		12	4700 5000 25
29	Screw		4	4700 1852 48
30	Screw		14	4700 1858 46
31	Hose	40 mm 1.57 in.	1	4700 0013 29
32	Washer		24	4700 6000 09
33	Washer		1	4700 6000 11
34	Label	Atlas copco	2	4812 0510 25

BD802



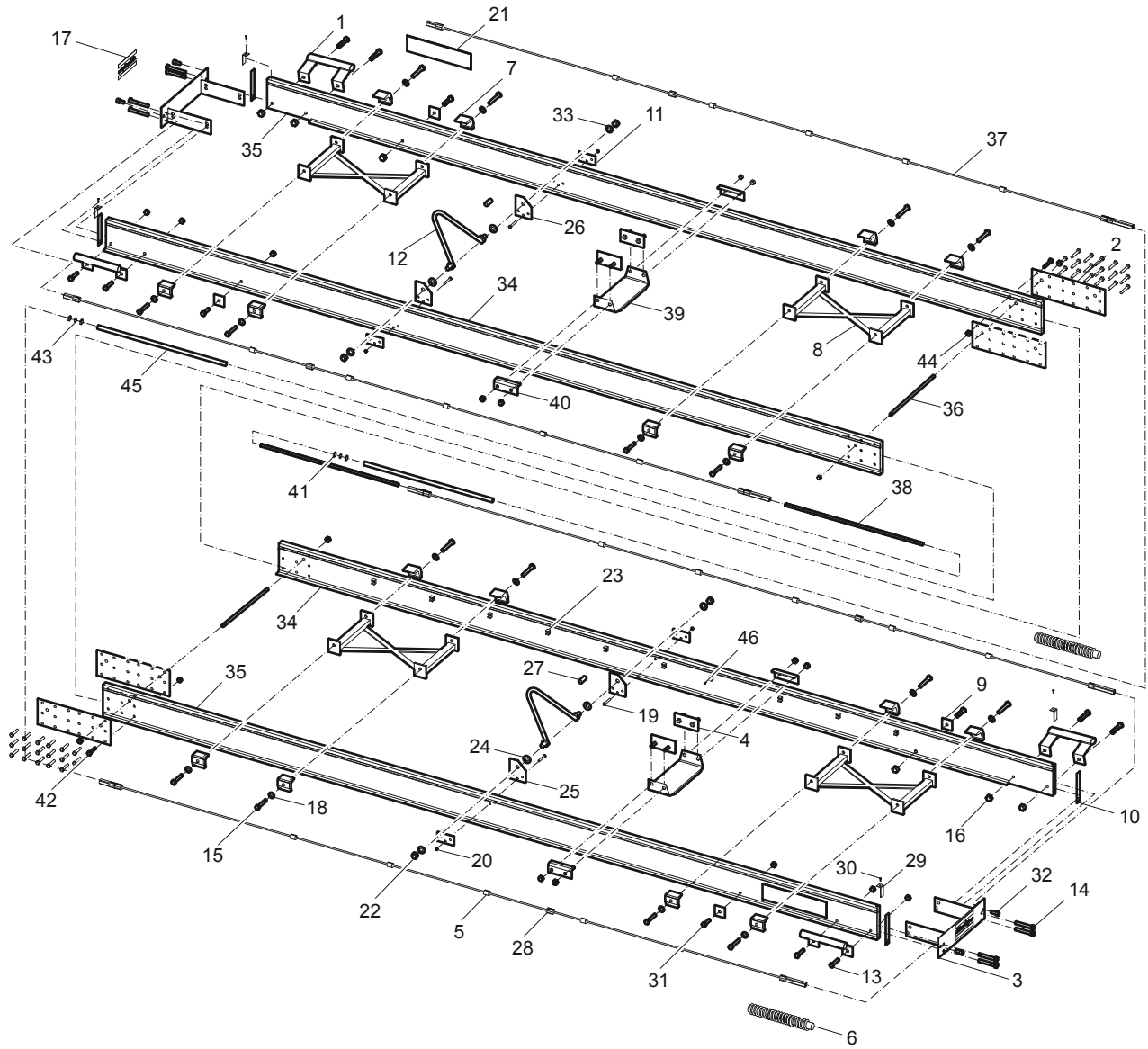
No.	Description	Remark	Quantity	Part number
1	Handle		4	4812 0511 30
2	Jointing plate		4	4812 0511 34
3	Beam end		2	4812 0511 33
4	Clamping plate		4	4700 0432 69
5	Shock absorber		40	4700 0430 70
6	Handle complete		2	4700 0434 28
7	Holder		16	4700 0439 80
8	Cross holder		4	4812 0511 32
9	Washer		4	4700 0430 36
10	Sealing		4	4700 0446 89
11	Plate		4	4700 0447 95
12	Lifting eye		2	4700 0318 30
13	Screw		8	4700 1858 69
14	Screw		8	4700 1858 70
15	Screw		16	4700 1858 71
16	Locknut		34	4700 5860 19
17	Label	Atlas copco	2	4812 0510 25
18	Washer		16	4700 6000 09
19	Screw		12	4700 5000 25
20	Locknut		12	4700 5860 03
21	Label	Instructions	2	4700 0014 96
22	Locknut		4	4700 5860 21
23	Connecting strip		17	4700 1858 47
24	Rubber washer		4	4700 0454 60
25	Lifting eye holder		2	4700 0457 23
26	Lifting eye holder		2	4700 0457 24
27	Hose	40 mm 1.57 in.	2	4700 0013 29
28	Shock absorber		32	4700 0442 77
29	Plate		4	4700 0442 78
30	Screw		4	4700 1852 48
31	Screw		4	4700 5000 37
32	Screw		4	4700 1858 68
33	Washer		4	4700 6000 11
34	Profile		2	4703 1914 -6
35	Profile		2	4703 2029 -6
36	Tie rod		2	4700 0435 64
37	Push rod		8	4700 0441 20
38	Push rod		4	4700 0430 14
39	Spacer		2	4812 0511 35
40	Angle bar		4	4700 0432 71
41	Gasket		5	4700 1600 02
42	Screw		36	4700 5000 91
43	O-ring		2	D604 0444 72
44	Locknut		36	4700 5860 18
45	Hose	40 mm 1.57 in.	2	4700 0013 29
46	Screw		17	4700 1858 46

BD842



No.	Description	Remark	Quantity	Part number
1	Handle		4	4812 0511 30
2	Jointing plate		4	4812 0511 34
3	Beam end		2	4812 0511 33
4	Clamping plate		4	4700 0432 69
5	Shock absorber		56	4700 0430 70
6	Handle complete		2	4700 0434 28
7	Holder		16	4700 0439 80
8	Cross holder		4	4812 0511 32
9	Washer		4	4700 0430 36
10	Sealing		4	4700 0446 89
11	Plate		4	4700 0447 95
12	Lifting eye		2	4700 0318 30
13	Screw		8	4700 1858 69
14	Screw		8	4700 1858 70
15	Screw		16	4700 1858 71
16	Locknut		34	4700 5860 19
17	Label	Atlas copco	2	4812 0510 25
18	Washer		16	4700 6000 09
19	Screw		12	4700 5000 25
20	Locknut		12	4700 5860 03
21	Label	Instructions	2	4700 0014 96
22	Locknut		4	4700 5860 21
23	Connecting strip		17	4700 1858 47
24	Rubber washer		4	4700 0454 60
25	Lifting eye holder		2	4700 0457 23
26	Lifting eye holder		2	4700 0457 24
27	Hose	40 mm 1.57 in.	2	4700 0013 29
28	Shock absorber		32	4700 0442 77
29	Plate		4	4700 0442 78
30	Screw		4	4700 1852 48
31	Screw		4	4700 5000 37
32	Screw		4	4700 1858 68
33	Washer		4	4700 6000 11
34	Profile		2	4703 1914 -5
35	Profile		2	4703 2029 -5
36	Tie rod		2	4700 0435 64
37	Push rod		8	4700 0438 50
38	Push rod		4	4700 0430 14
39	Spacer		2	4812 0511 35
40	Angle bar		4	4700 0432 71
41	Gasket		5	4700 1600 02
42	Screw		36	4700 5000 91
43	O-ring		2	D604 0444 72
44	Locknut		36	4700 5860 18
45	Hose	40 mm 1.57 in.	2	4700 0013 29
46	Screw		17	4700 1858 46

BD942



No.	Description	Remark	Quantity	Part number
1	Handle		4	4812 0511 30
2	Jointing plate		4	4812 0511 34
3	Beam end		2	4812 0511 33
4	Clamping plate		4	4700 0432 69
5	Shock absorber		64	4700 0430 70
6	Handle complete		2	4700 0434 28
7	Holder		16	4700 0439 80
8	Cross holder		4	4812 0511 32
9	Washer		4	4700 0430 36
10	Sealing		4	4700 0446 89
11	Plate		4	4700 0447 95
12	Lifting eye		2	4700 0318 30
13	Screw		8	4700 1858 69
14	Screw		8	4700 1858 70
15	Screw		16	4700 1858 71
16	Locknut		34	4700 5860 19
17	Label	Atlas copco	2	4812 0510 25
18	Washer		16	4700 6000 09
19	Screw		12	4700 5000 25
20	Locknut		12	4700 5860 03
21	Label	Instructions	2	4700 0014 96
22	Locknut		4	4700 5860 21
23	Connecting strip		17	4700 1858 47
24	Rubber washer		4	4700 0454 60
25	Lifting eye holder		2	4700 0457 23
26	Lifting eye holder		2	4700 0457 24
27	Hose	40 mm 1.57 in.	2	4700 0013 29
28	Shock absorber		32	4700 0442 77
29	Plate		4	4700 0442 78
30	Screw		4	4700 1852 48
31	Screw		4	4700 5000 37
32	Screw		4	4700 1858 68
33	Washer		4	4700 6000 11
34	Profile		2	4703 1914 -1
35	Profile		2	4703 2029 -1
36	Tie rod		2	4700 0435 64
37	Push rod		8	4700 0441 21
38	Push rod		4	4700 0430 14
39	Spacer		2	4812 0511 35
40	Angle bar		4	4700 0432 71
41	Gasket		5	4700 1600 02
42	Screw		36	4700 5000 91
43	O-ring		2	D604 0444 72
44	Locknut		36	4700 5860 18
45	Hose	200 mm 7.87 in.	2	4700 0013 29
46	Screw		17	4700 1858 46

Any unauthorized use or copying of the contents or any part thereof is prohibited.
This applies in particular to trademarks, model denominations, part numbers, and
drawings.

© 2012 Atlas Copco Construction Tools AB | No. 9800 1186 01 | 2012-12-19

Atlas Copco

www.atlascopco.com